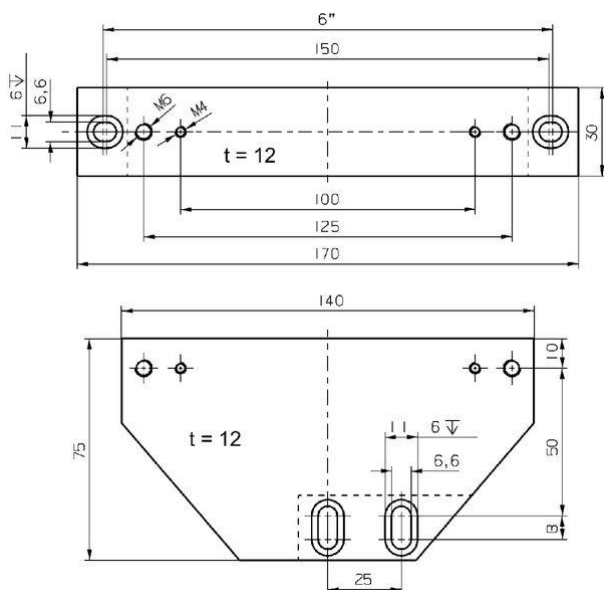


## Three- Point Support Set

FOR MOUNTING M-511, M-521 AND M-531 STAGES ON HONEYCOMB TABLE TOPS ETC.



M-590.00

⊕ (Metric and imperial)

### Order Information

M-590.00

Three- Point Support Set for Mounting M-505, M-510, M-511, M-521 and M-531 Stages on Honeycomb Table Tops etc. (Metric and Imperial)

Ask about custom designs!

### Related Products

[M-505 Micropositioning Stages with Ballscrew Drives](#)

[M-511 • M-521 • M-531 High- Precision Linear Translation Stage](#)

