

PIMag® High-Precision XY Stage

Clear Aperture, High Travel Accuracy and Stability, Magnetic Direct Drive



V-738

- Travel range 102 mm × 102 mm (4")
- Large aperture, 150 mm × 150 mm
- Unidirectional repeatability to 0.1 µm
- Velocity to 500 mm/s
- 3-phase linear motor
- High-resolution incremental linear encoder

PIMag® magnetic direct drive

3-phase magnetic direct drives do not use mechanical components in the drivetrain, they transmit the drive force to the motion platform directly and without friction. The drives reach high velocities and accelerations. Ironless motors are particularly suitable for positioning tasks with the highest demands on precision because there is no undesirable interaction with the permanent magnets. This allows smooth running even at the lowest velocities and at the same time, there is no vibration at high velocities. Nonlinearity in control behavior is avoided and any position can be controlled easily. The drive force can be set freely.

Recirculating ball bearings

When carefully assembled, recirculating ball bearings are distinguished by a beneficial combination of high load capacity, lifetime, maintenance-free operation, and guiding accuracy. The moving part of the stages is supported by four preloaded linear ball bearing units which run on two guide rails. Each bearing unit is made up of two independent rows of circulating ball bearings.

Highly accurate position measuring with incremental linear encoder

Noncontact optical linear encoders measure the actual position directly at the motion platform with the greatest accuracy so that nonlinearity, mechanical play or elastic deformation have no influence on position measuring. Other travel ranges on request.

Fields of application

Medical industry, Laser cutting, Scanning, Biotechnology, Metrology, AOI (Automatic Optical Inspection), Microscopy

Specifications

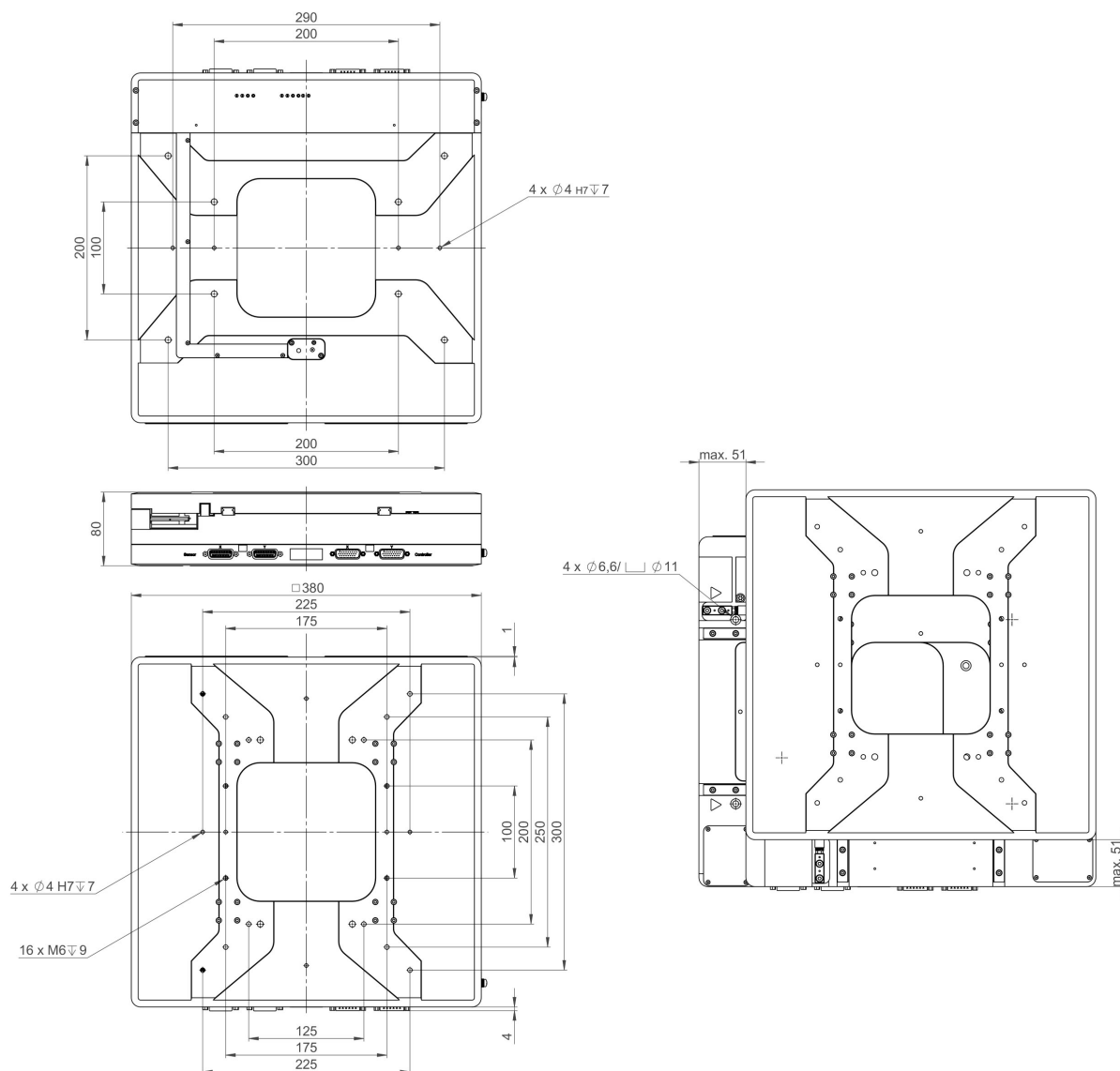
	V-738.056111	Unit	Tolerance
Motion and positioning			
Travel range	102 × 102	mm	
Integrated sensor	Incremental linear encoder		
Design resolution	0.001	μm	
Sensor signal	Sin/cos, 1 V peak-peak, 20 μm signal period		
Minimum incremental motion	0.02	μm	typ.
Unidirectional repeatability	0.1	μm	typ.
Bidirectional repeatability	±0.25	μm	typ.
Angular error xry (pitch)	±40	μrad	typ.
Angular error xrz (yaw)	±20	μrad	typ.
Angular error yrx (pitch)	±40	μrad	typ.
Angular error yrz (yaw)	±20	μrad	typ.
Straightness / flatness	±2	μm	typ.
Orthogonality	±96.963	μrad	typ.
Velocity	500	mm/s	max.
Acceleration in X, Y, without load	10	m/s ²	max.
Reference and limit switches	Optical		
Mechanical properties			
Load capacity	100	N	max.
Permissible torque in θ_x, θ_y	130	N·m	max.
Permissible torque in θ_z	90	N·m	max.
Guide	Recirculating ball bearing		
Drive properties			
Motor type	Ironless 3-phase linear motor		
Operating voltage, nominal	48	V	nom.
Operating voltage, max.	48	V	max.
Peak force	200	N	max.
Nominal force	87	N	typ.
Peak current, effective	15	A	typ.
Nominal current, effective	4.4	A	typ.
Force constant, effective		N/A	typ.
Motor constant	71	N/√W	typ.
Electrical time constant	0.4	ms	
Resistance phase-phase	3.6	Ω	typ.
Inductance phase-phase	1.2	mH	typ.
Back EMF phase-phase	16	V·s/m	max.
Pole pitch N-N	30	mm	

	V-738.056111	Unit	Tolerance
Miscellaneous			
Operating temperature range	5 to 40	°C	
Material	Aluminum, black anodized		
Moved mass in X, unloaded	16.8	kg	±5 %
Moved mass in Y, unloaded	8	kg	±5 %
Overall mass	24	kg	±5 %
Connection	2 × HD Sub-D 26 (m) (motor) 2 × Sub-D 15 (f) (sensor)		
Recommended controller	SMC Hydra (double axis) C-891 (single axis) C-885 with C-891.10C885 (up to 20 axes) ACS modular controller		

All cables required for operation with the recommended controller are included in the scope of delivery. The cable length is 3 m. Cable for connecting to other controllers can be ordered as accessory.

Ask about custom designs!

Drawings and Images



V-738, dimensions in mm

Ordering Information

V-738.056111

PIMag® precision XY stage, 380 mm x 380 mm width, 102 x 102 mm travel range, 150 x 150 mm clear aperture, ironless 3-phase linear motor, 48 V, Incremental linear encoder with sin/cos signal transmission, 20 μ m sensor signal period, including 3 m cable set